



Welch Allyn

PanOptic™ Ophthalmoscope and  
PanOptic Ophthalmoscope with the iExaminer® System



Wide-view Direct PanOptic Ophthalmoscope combined with a mobile digital imaging solution for superior panoramic views of the fundus in non-dilated pupils

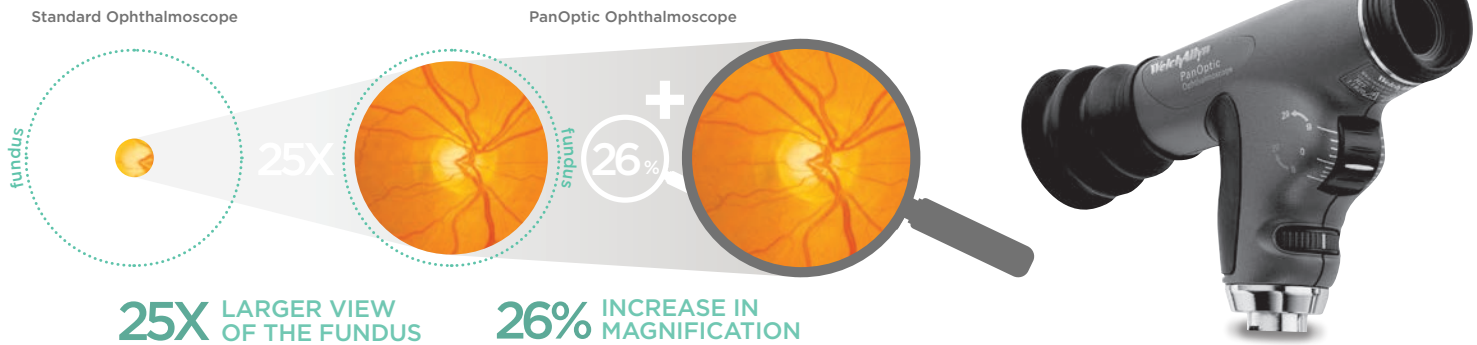


**WelchAllyn®**

# The Welch Allyn PanOptic Ophthalmoscope is a breakthrough concept in ophthalmoscopy

Our revolutionary PanOptic Ophthalmoscope addresses the fundamental challenge in direct ophthalmoscopy of non-dilated pupils—to get a superior view of the fundus in order to make a sufficient assessment.

Axial PointSource™ optics support fast, easy entry into small, undilated pupils:



## Patient Eyecup:

- Establishes and maintains proper viewing distance
- Serves as a pivot point for panning around the retina
- Supports orientation and screens out ambient light

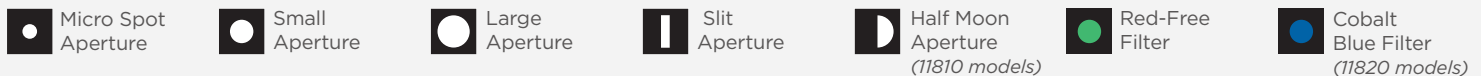
## Additional features:

- Focus range of -20 to +20 diopters
- Available with Halogen HPX® or SureColor™ LED light source
- Greater working distance between practitioner and patient helps improve comfort for all
- Compatible with all Welch Allyn 3.5 V power sources for the desk and wall
- Also compatible with some handles of other brands



IMPROVES COMFORT FOR PATIENT AND PRACTITIONER

## Apertures and Filters:

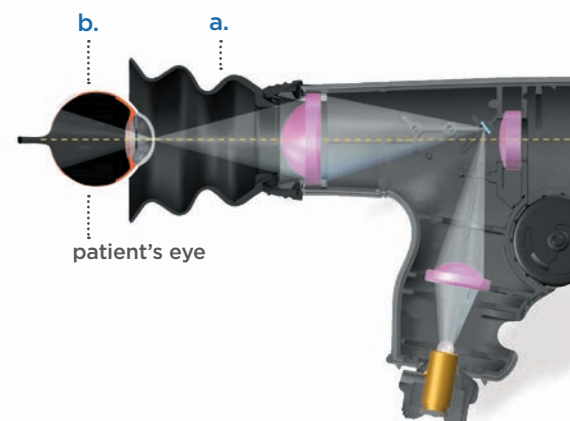


## Panoramic Views of the Fundus in Non-dilated Pupils

Thanks to our innovative, proprietary optical design known as Axial PointSource Optics, the PanOptic greatly enhances your funduscopic examinations. The practitioner is actually viewing the fundus through a mirror that directs illumination into the eye, maximizing the alignment of the viewing axis with the illuminated area.

### How it works

- a. Converges the illumination to a point at the patient's cornea, allowing easy entry into small and non-dilated pupils
- b. Then diverges the illumination pathway to the patient's retina, illuminating a very wide area of the fundus
- c. Simultaneously enables the practitioner to view the illuminated area on virtually the same axis, creating the widest field of view attainable





# iExaminer completes the system allowing a mobile digital imaging solution

The iExaminer turns the PanOptic Ophthalmoscope into a mobile digital imaging device allowing you to view and take pictures of the eye like you've never done before.

## Capture, Store, Zoom, Send and Retrieve.

- iExaminer adapter and PanOptic Ophthalmoscope work together through your iPhone® and the iExaminer App
- Rapid capture of fundus images supports easy, cost-effective fundus documentation
- Facilitates patient education and compliance
- Compatible with iPhone 6, 6s, 6 Plus and 6 Plus s models



When using the Welch Allyn iExaminer, use the Welch Allyn model 03800-U Halogen lamp in the PanOptic ophthalmoscope.



The Welch Allyn iExaminer Pro App is part of the system to convenient capture, store, send and retrieve fundus images. Free version is available for the Apple iPhone

## CLINICAL EVIDENCE:

“Doctors were more able to accurately diagnose optic disc pathology with the PanOptic Ophthalmoscope (PO) than with the direct ophthalmoscope (DO). These findings show that the PO is a superior instrument for diagnosing disc pathology in the acute care setting.”

**Harry Petrushkin, Allon Barsam, Milt Mavrakakis, Andy Parfitt, Peter Jaye.**

Optic disc assessment in the emergency department: a comparative study between the PanOptic and direct ophthalmoscopes. *EmergMedJ* 2012;29:1007-1008 (United Kingdom)

## PRODUCT REVIEWS:

“The PanOptic allows a beautiful view of the retina, and especially its blood vessels, far better than my conventional ophthalmoscope. One look in an eye and I have a sense of the status of the arteries in the kidney, the heart.”

**M.D. Verghese, Abraham.** “The Things We Carried, Then and Now” *The New York Times*, New York Edition, Oct. 9, 2012. P. D2. Print.

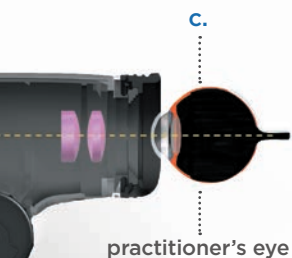
“I have always found ophthalmoscopy akin to looking through a keyhole to try to see what is in the room beyond.

The Welch Allyn PanOptic Ophthalmoscope makes it easy to shine a light on a previously difficult-to-explore area of a patient’s anatomy.”

**Dr. Park, Robert.** “An end to tedious eye exams” *Medical Observer* (St Leonards, N.S.W.), Mar., 2017. P. 52. Print.

## An Award-winning Technology

Welch Allyn received the Global R&D 100 Award and Medical Design Excellence Award recognizing technological significance for the PanOptic Ophthalmoscope.



# Compatible with All Welch Allyn 3.5V Power Sources

Choose the configuration that best fits your practice and workflow



## Available with Welch Allyn SureColor LED

Unique and patented LED technology specifically designed for clinical applications



**THE FAMILIARITY OF HALOGEN**

SureColor LED	Most competitor's LED
> Optimized color temperature, similar to Halogen	> Light too bright or too white that can wash out critical details

**30x LONGER LIFE**

- > Tested to 30X halogen lamps
- > 7-year warranty

**ENERGY EFFICIENCY**

- > Up to 3X the on-time vs. halogen with Welch Allyn 3.5 V rechargeable handles
- > Lower operating temperature intended for greater patient/clinician comfort

## Ordering Information

*(Lamps are interchangeable—same head works with both SureColor LED lamp and Halogen HPX lamp)*

### PanOptic Heads

- 11820-L PanOptic 3.5 V SureColor LED Ophthalmoscope head\*
- 11820-CE PanOptic 3.5 V Halogen HPX Ophthalmoscope head\*
- 11810-CE PanOptic 3.5 V Halogen HPX Ophthalmoscope head\*\*

### Accessories

- 11840-A6 iExaminer adapter for iPhone 6 and 6s
- 11840-A6P iExaminer adapter for iPhone 6 Plus and 6s Plus
- 11870 Reusable patient eyecups (5 units)
- 11875 Corneal viewing lens
- 03800-U Halogen HPX replacement lamp
- 03800-LED SureColor LED replacement lamp



*Same head works with both SureColor LED lamp and Halogen HPX lamp*

\*Apertures and filters on 11820 heads: micro, small, large spot; slit aperture; red-free and cobalt blue filter; magnification lens.

\*\*Apertures and filters on 11810 heads: micro, small, large spot; slit aperture; red-free and half-moon aperture.

Explore the entire Welch Allyn physical Exam portfolio at <http://emeai.welchallyn.com> or call us at +353 46 906 7700.



**Welch Allyn EMEAI Customer Care**  
 IDA Business Park - Johnstown  
 Navan, County Meath, Ireland  
 (p) +353 46 906 7700  
 europe@welchallyn.com

EMEAI.WELCHALLYN.COM



©2019 WELCH ALLYN, INC. ALL RIGHTS RESERVED. DOC. NO: SM4155-EN-EU-R1 MC15851, 2019-01

The PanOptic Ophthalmoscope is intended for use by clinicians and medically qualified personnel to directly observe the structures of the fundus of the eye of all patients. Medical device (93/42/EEC): Class I. Manufacturer: Welch Allyn, Inc., 4341 State Street Road, Skaneateles Falls, NY 13153 USA. EC Rep.: Welch Allyn Limited, Navan Business Park, Dublin Road, Navan, County Meath, Republic of Ireland. This medical device is a regulated health product which, pursuant to such regulation bears a CE mark. Welch Allyn recommends that you carefully read the detailed instructions for safe and proper use included in the documents accompanying the medical devices. The personnel of healthcare establishments are responsible for the proper use and maintenance of these medical devices. Welch Allyn reserves the right to make changes without notice in design, specifications and models. The only warranty Welch Allyn makes is the express written warranty extended on the sale of its products.